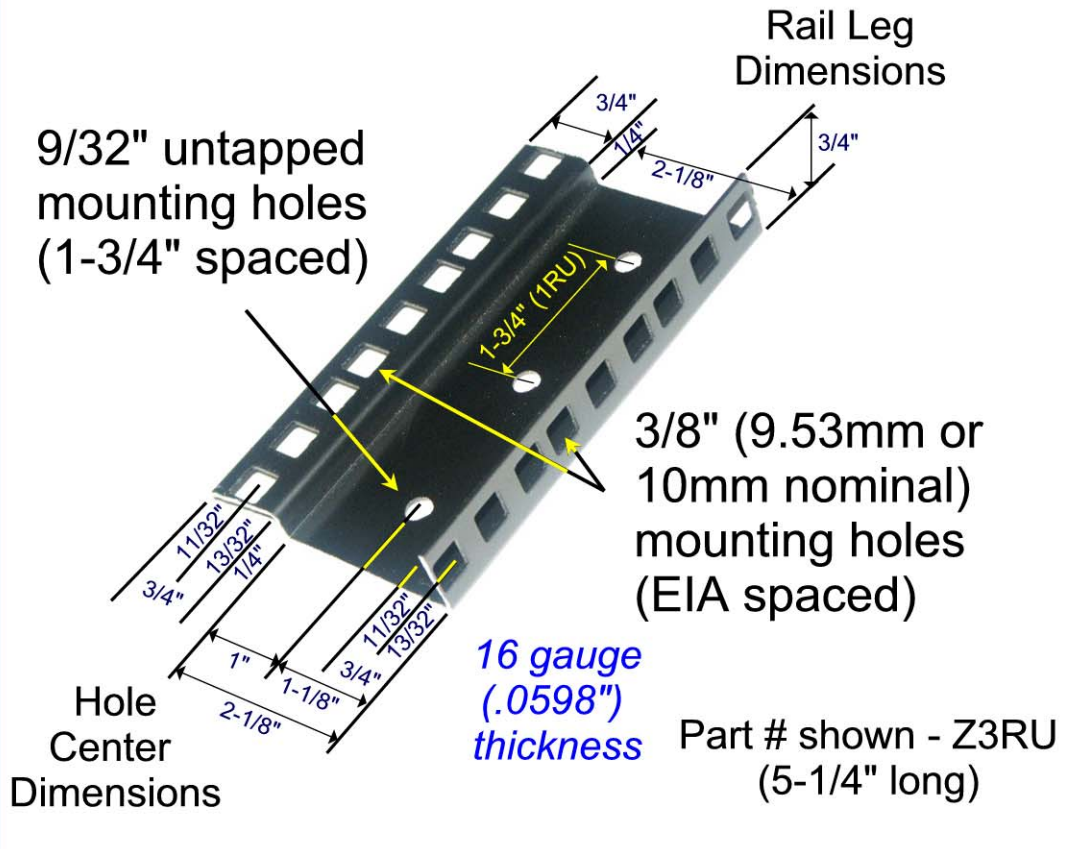


MULTI-APPLICATION STEEL RACK RAIL

(intended for multi-application uses such as architectural built-in racks, tradeshow exhibits, rack cases & consoles - rail sets are priced & sold strictly in sets of 4 rails)

"Z" SERIES STEEL RACK RAIL



PLEASE REVIEW THESE DIMENSIONAL AND DESCRIPTIVE DETAILS CAREFULLY. RACK RAIL SETS YOU PURCHASE FROM STAR CASE ARE INDIVIDUALLY CUT TO YOUR PRECISE REQUEST. PLEASE, REVIEW OUR RETURN POLICY BELOW.

RETURN POLICY: (for complete listing of our Return Policy, please visit <http://www.starcas.com/returns.htm>) Any product, with the exception of Custom Cases, Large Metal Racks and LAN Stations, received that you may have ordered incorrectly and if that product does not meet your needs, and if the product is not defective, may be returned within 10 days after receiving. A 25% restocking charge will be assessed. Initial freight and return freight charges to or from Star Case are the responsibility of the buyer. You must call and receive a Return Authorization (RA) number and it must be clearly indicated on original packing or equivalent. All goods must be received in new & original condition for credit to be issued. Products returned with no RA number will be refused at our loading dock.